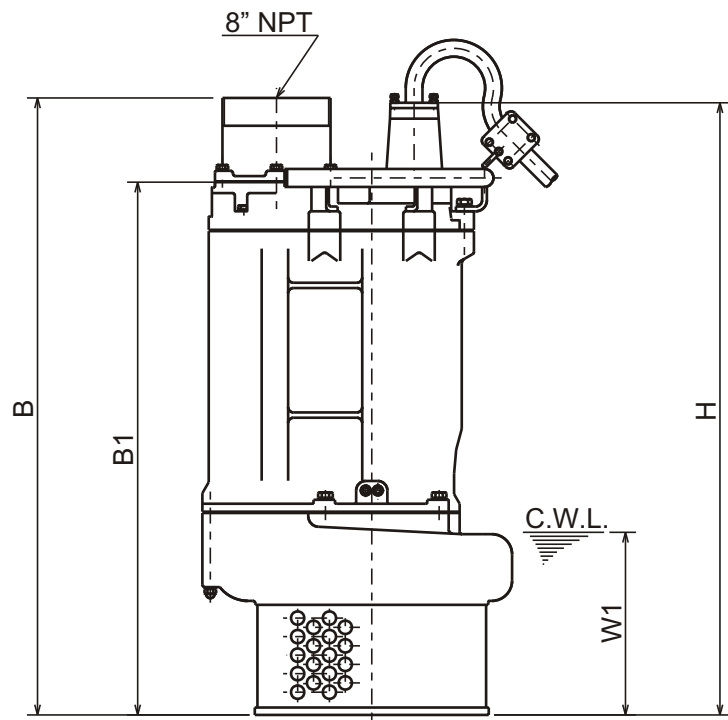
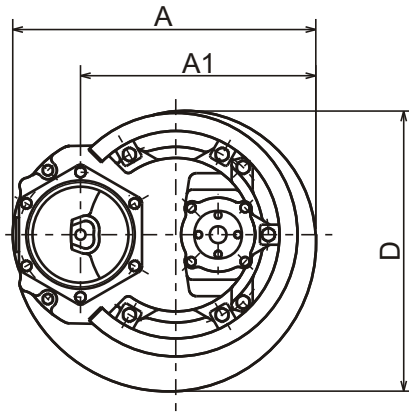




**KRS - SERIES**  
HIGH VOLUME - DEWATERING PUMPS

**DIMENSIONS**

**KRS819-60**  
**KRS822-60**  
**KRS822L-60**



C.W.L. : Continuous running Water Level

**DIMENSIONS:USCS (Inch)**

Model	HP	NOM. SIZE	Pump & Motor						C.W.L.	Wt. (lbs.)
			A	A1	B	B1	D	H	W1	
KRS819-60	25	8"	22 1/2	17 1/2	45 3/8	39 5/8	20 7/8	45 1/2	13 5/8	850
KRS822-60	30	8"	22 1/2	17 1/2	45 3/8	39 5/8	20 7/8	45 1/2	13 5/8	860
KRS822L-60	30	8"	22 1/2	17 1/2	45 3/8	39 5/8	20 7/8	45 1/2	13 5/8	860

**DIMENSIONS:METRIC (mm)**

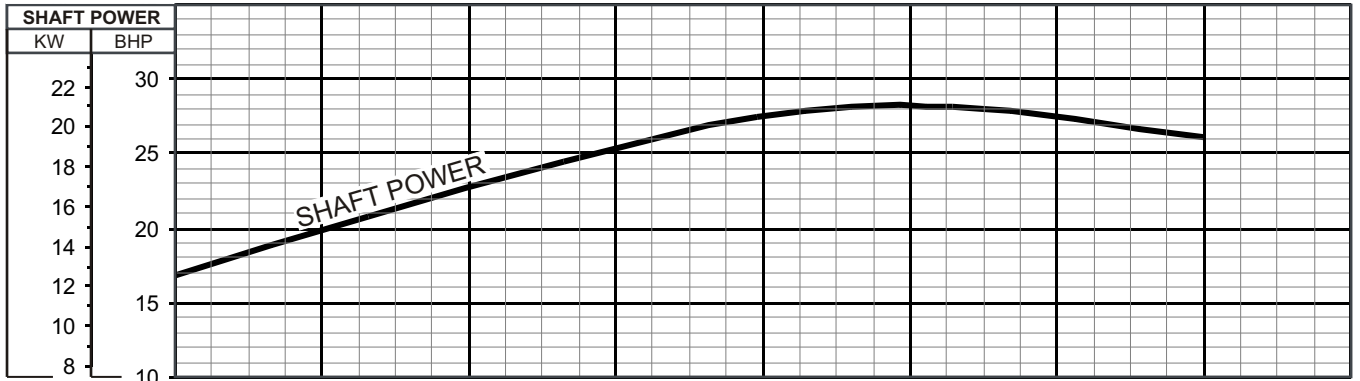
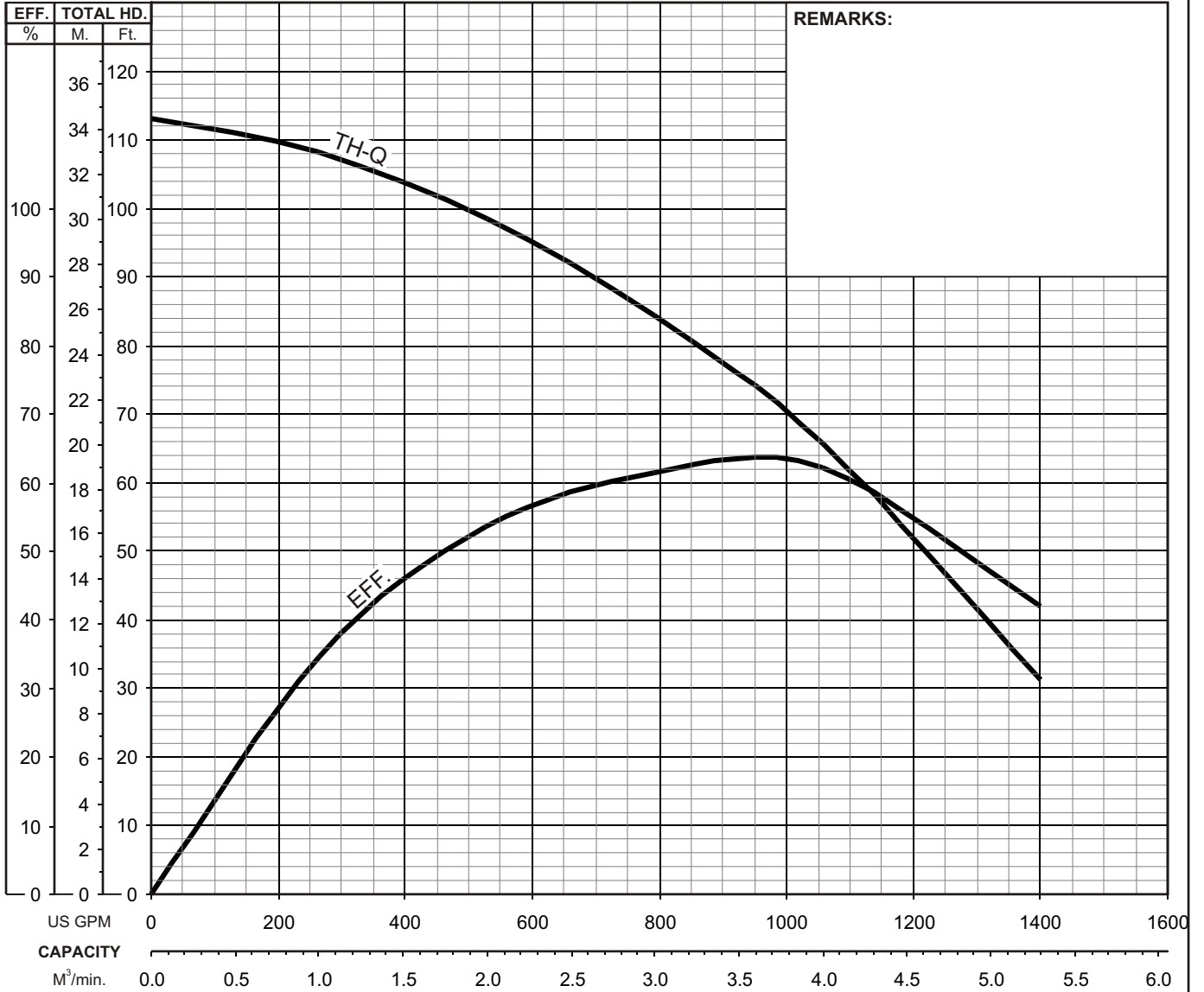
Model	kW	NOM. SIZE	Pump & Motor						C.W.L.	Wt. (kg)
			A	A1	B	B1	D	H	W1	
KRS819-60	18.5	200	572	445	1153	1006	530	1156	345	385
KRS822-60	22	200	572	445	1153	1006	530	1156	345	390
KRS822L-60	22	200	572	445	1153	1006	530	1156	345	390



# KRS - SERIES HIGH VOLUME - DEWATERING PUMPS

# PERFORMANCE CURVE

MODEL	BORE	HP	KW	RPM	SOLIDS DIA	LIQUID	SG.	VISCOSITY	TEMP.
KRS822-61	8"/200mm	30	22	1745	0.984"/25mm	Water	1.0	1.123 cSt.	60°F
PUMP TYPE	PHASE	VOLTAGE	AMPERAGE	HZ	STARTING METHOD	INS. CLASS			
High Volume - Dewatering Pump	3	460 / 575	38.5 / 30.8	60	Direct On Line	F			
CURVE No.	DATE	PHASE	VOLTAGE	AMPERAGE	HZ	STARTING METHOD	INS. CLASS		
-	-	-	-	-	-	-	-		

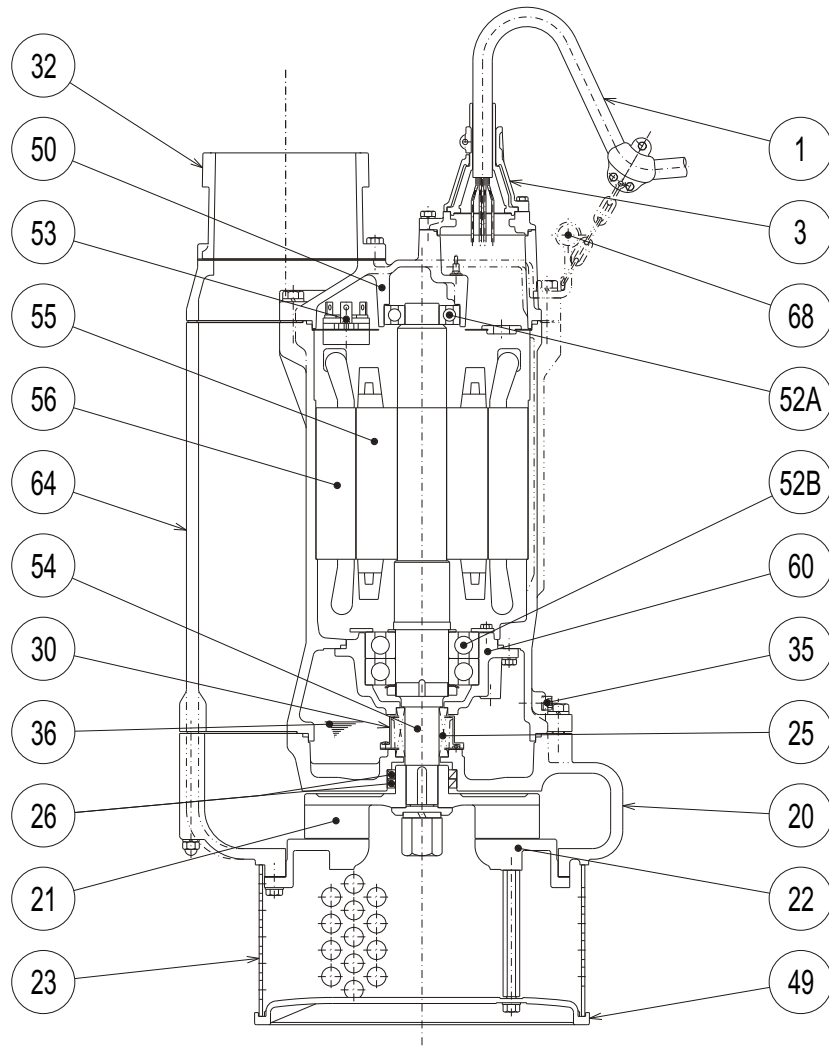




**KRS - SERIES**  
HIGH VOLUME - DEWATERING PUMPS

**SECTIONAL VIEW**

**KRS819-61**  
**KRS822-61**  
**KRS822L-61**



ITEM#	DESCRIPTION	MAIN MATERIAL / NOTE	ASTM, AISI CODE	RELATED DIN CODE	Q'TY
1	Power Cable	Chloroprene Sheath AWG6/4-50ft			1
3	Gland	Cast Iron	A48M Class30B	EN 1561 GJL-199	1
6	Stuffing Box	Cast Iron	A48M Class30B	EN 1561 GJL-200	1
20	Pump Casing	Cast Iron	A48M Class30B	EN 1561 GJL-200	1
21	Impeller	Ductile Cast Iron	A536 100-70-03	EN 1563 GJS-700-2	1
22	Suction Cover	Cast Iron	A48M Class30B	EN 1561 GJL-200	1
23	Suction Strainer	Steel (Cold Rolled )	A109/A1008	EN 10130	1
25	Mechanical Seal	Silicon Carbide / H-45			1
26	Oil Seal	NBR / TC-709212			2
30	Oil Lifter	PBT Plastic W/(GF+MD)40			1
32	Discharge Connection	Cast Iron / NPT 8"	A48M Class30B	EN 1561 GJL-200	1
35	Oil Plug	Stainless Steel	S 30400	1.4301	2
36	Lubricant	Turbine Oil ISO VG32 or SAE 10W-20			
49	Bottom Plate	Ductile Cast Iron	A536 100-70-03	EN 1563 GJS-700-2	1
50	Motor Bracket	Cast Iron	A48M Class30B	EN 1561 GJL-200	1
52A	Upper Bearing	#6309ZZC3			1
52B	Lower Bearing	#6314ZZD2C3			1
53	Motor Protector				1
54	Shaft	Stainless Steel	S 42000	1.4028	1
55	Rotor				1
56	Stator				1
60	Bearing Housing	Cast Iron	A48M Class30B	EN 1561 GJL-200	1
64	Motor Housing	Cast Iron	A48M Class30B	EN 1561 GJL-200	1
68	Handle	Steel Pipe + Steel (Cold Rolled)	A53 Type F + A109/A1008	DIN 1615 St 33 + EN 10130	1

PARTS LIST		HIGH VOLUME DEWATERING PUMP				1/21/2020
ITEM	PART No.	DESCRIPTION	QTY	SIZE	MATERIAL	NOTES
1	001-007-57	Cabtyre Cable Set (50') 60Hz	1	2PNCTF4Cx14mm2	KR-3	can also use 001-329-27 or 001-519-39
2	010-128-19	Cable Clip Rubber	1	75x80x2t	NBR	
3	010-101-16	Cable Clip	2	No.3	SPC	
4	140-035-14	Hex.Bolt	3	M6x20	SUS304	
5	141-004-17	Hex.Nut	3	M6	SUS304	
6	011-101-19	Shackle	2	6mm	SS	
7	095-131-18	Chain	1	4mm(3L)	SS	
8	140-035-14	Hex.Bolt	2	M6x20	SUS304	included in ITEM#1 cable assembly
9	070-107-18	Cable Clamp	1		FC	included in ITEM#1 cable assembly
10	140-055-23	Hex.Bolt	4	M8x25	SUS410	included in ITEM#1 cable assembly
11	006-127-15	Stuffing Box	1	No.3	FC	included in ITEM#1 cable assembly
12	008-145-15	Mould Cover	1	KR3-7	CR	included in ITEM#1 cable assembly
13	002-115-18	Heat Shrink Tube (Sold per meter)	m	EVA(d16.5x1t)	(Vm)	
14	002-116-19	Heat Shrink Tube (Sold per meter)	m	A4(d20x0.35t)	(Vm)	
15	141-004-46	Hex.Nut	4	M6	C3604	
16	009-107-18	Terminal	4	R-14-6	CU	
17	009-168-17	Terminal	3	R-22-S6	CU	
18	009-107-18	Terminal	1	R-14-6	CU	
19	140-029-28	Hex.Bolt	4	M6x10	SWRM	
20	140-076-17	Hex.Bolt	4	M10x30	SUS304	
21	142-164-19	Spring Washer	4	M10	SUS304	
22	042-106-18	Stuffing Box Sheet	1	11KW	FC	
23	122-135-19	O-Ring	1	G-120(119.4xd3.1)	NBR	*
24	140-098-15	Hex.Bolt	6	M12x35	SUS304	
25	032-255-14	Hose Coupling 8" NPT	1	NPT-8 (KRS)	FC	
	032-395-17	Hose Coupling 6" NPT (OPTION)	1	NPT-6 (KRS)	FC	6" NPT OPTION
26	121-144-18	Packing	1	KRZ8(P.C.236xd190)	NBR	*
27	140-130-10	Hex.Bolt	4	M16x70	SUS304	
28	142-166-11	Spring Washer	4	M16	SUS304	
29	068-000-41	Handle	1	KRS819/22-51/61	SGPSS	replaces OLD # 068-000-38
	016-000-11	Handle Rubber	2	KRS819/22-51/61	NR	
30	143-000-58	Pan Screw (w/Spring Washer/Plain Washer)	1	M6x12	SWRM	
31	009-107-18	Terminal	1	R-14-6	CU	
32	140-127-14	Hex.Bolt	1	M16x55	SUS304	
33	142-166-11	Spring Washer	1	M16	SUS304	
34	140-101-12	Hex.Bolt	2	M12x50	SUS304	
35	142-165-10	Spring Washer	2	M12	SUS304	
36	050-001-08	Motor Bracket	1		FC	

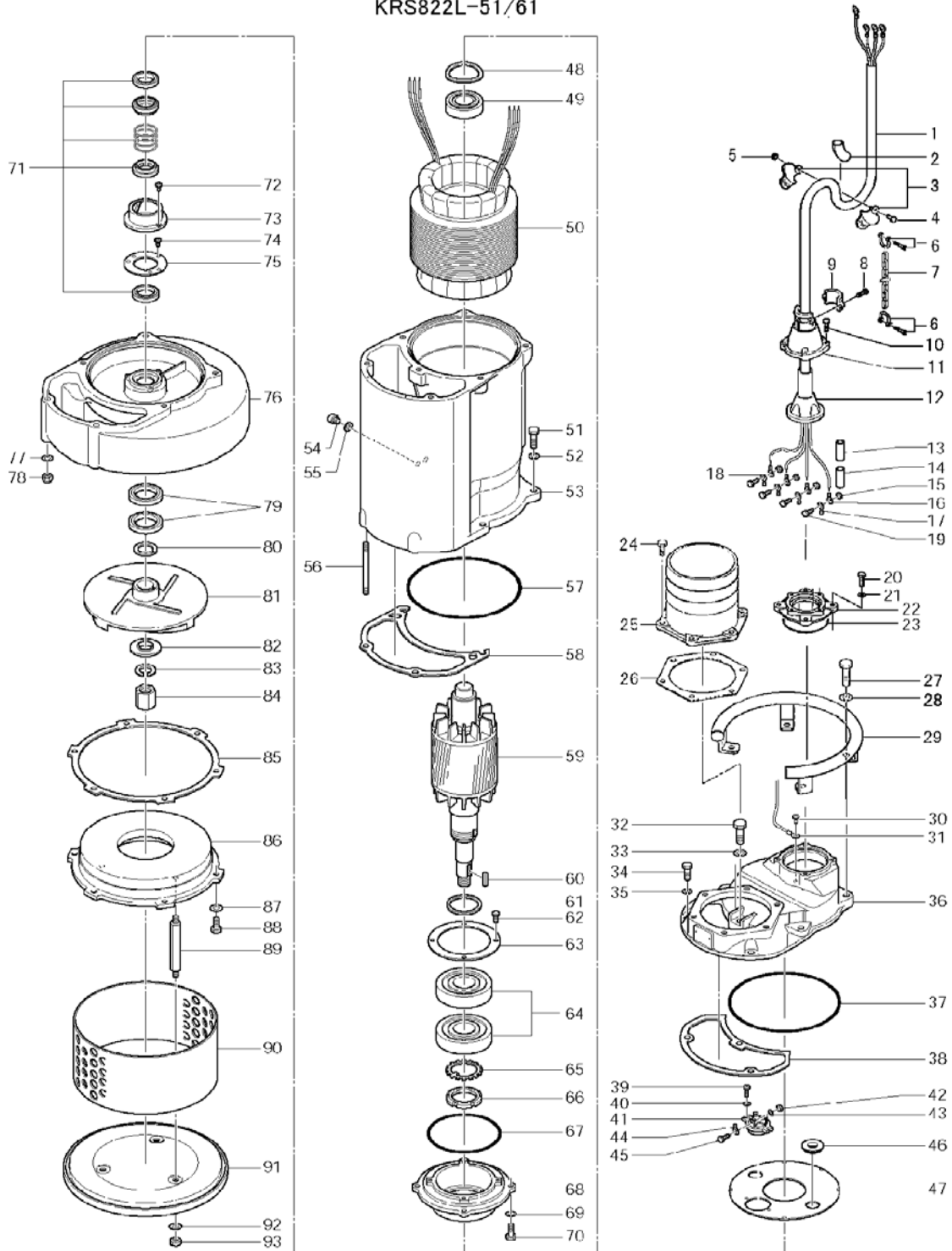
PARTS LIST		HIGH VOLUME DEWATERING PUMP				1/21/2020
ITEM	PART No.	DESCRIPTION	QTY	SIZE	MATERIAL	NOTES
37	122-160-13	O-Ring	1	G-290(289.3xd5.7)	NBR	*
38	121-001-44	Packing (Water Way, Upp.)	1	KRS819/822-51/61	SBR	*
39	143-032-10	Pan Screw	2	M5x16	SWRM	
40	142-112-25	Plain Washer	2	M5	SPC	
41		Motor Protector 460V-60Hz	1			
		Motor Protector 575V-60Hz	1			
42	141-004-59	Hex.Nut	3	M6	SWRM	
43	142-000-30	Spring Washer	3	M6	SWRM	
44	009-107-18	Terminal	3	R-14-6	CU	
45	140-030-35	Hex.Bolt	3	M6x12	SWRM	
46	016-000-04	Lead Wire Protection Bush	2	d21xd52x11t	SBR	
47	058-000-38	Lead Wire Protection Plate	1	d114xd290x1t	SPCC	
48	142-000-70	Wave Washer	1	d83xd99x0.9t	SK5	
49	052-112-10	Bearing	1	6309ZZC3		
50		Stator 460V-60Hz	1Set			
		Stator 575V-60Hz	1Set			
51	140-126-13	Hex.Bolt	4	M16x50	SUS304	
52	142-166-11	Spring Washer	4	M16	SUS304	
53	064-001-22	Motor Frame	1		FC	
54	035-113-18	Oil Plug	2	M12x14	SUS304	
55	121-247-12	Packing	2	d12.3xd18x2t	PE	*
56	144-148-13	Stud Bolt	2	M12x175(18/18)	SUS403	
57	122-161-14	O-Ring	1	G-300(299.3xd5.7)	NBR	*
58	121-001-41	Packing (Water Way, Low.)	1	KRS819/822-51/61	NBR	*
59	055-002-80	Rotor	1Set			
60	147-057-13	Impeller Key	1	12x8x50L	SUS420	
61	061-000-17	Slinger	1	d90xd70x3t	SPCC	
62	140-054-48	Hex.Bolt	4	M8x20	SWRM	
63	062-000-21	Bearing Fixing Plate	1	d130xd190x4.5t	SS	
64	052-145-12	Bearing	1Set	6314ZZD2C3		
65	142-247-17	Bearing Washer	1	AW14	SPCC	
66	141-079-13	Bearing Nut	1	AN14	SS	
67	122-151-11	O-Ring	1	G-200(199.3xd5.7)	NBR	*
68	060-001-74	Bearing Housing	1		FC	
69	142-164-35	Spring Washer	4	M10	SWRH	
70	140-076-33	Hex.Bolt	4	M10x30	SWRM	
71	025-000-62	Mechanical Seal	1	H-45X(E)	SIC	
72	143-070-23	Pan Screw	2	M5x6	SWRM	

PARTS LIST		HIGH VOLUME DEWATERING PUMP				1/21/2020
ITEM	PART No.	DESCRIPTION	QTY	SIZE	MATERIAL	NOTES
73	030-140-19	Oil Lifter	1	H-45	Resin	
74	143-070-10	Pan Screw	3	M5x6	SWRM	
75	030-149-18	Seal Stopper	1	H-40/45	SPCC	
76	020-464-11	Pump Casing	1	KRS-8H/8M	FC	
77	142-165-10	Spring Washer	2	M12	SUS304	
78	141-032-14	Hex.Cap Nut	2	M12	SUS304	
79	026-117-14	Oil Seal	2	TC-709212	NBR	
80	040-111-12	Impeller Shim		d42.5xd59x0.3t	SUS304	
81	021-738-25	Impeller (50Hz) OPTION	1	KRS822-51	FCD	KRS822-51 50HZ OPTION
	021-739-26	Impeller (60Hz)	1	KRS822-61	FCD	KRS822-61
	021-320-17	Impeller (50Hz) OPTION	1	KRS822L-51	FCD	KRS822L-51 50HZ OPTION
	021-321-18	Impeller (60Hz)	1	KRS822L-61	FCD	KRS822L-61
82	142-387-10	Impeller Fixing Washer	1	d31xd8x13t	SUS304	
83	142-171-19	Spring Washer	1	M30	SUS304	
84	157-005-17	Impeller Nut	1	M30,P3.5(Hex.Cap)	S35C	
85	120-106-15	Packing (S.Cover)		d360xd390x0.5t	PE	
86	022-144-21	Suction Cover	1	KRZ-19/22H	FC	KRS822-61
86	022-143-17	Suction Cover	1	KRS-D8/B8	FC	KRS822L-61
87	142-129-25	Plain Washer	6	M12	SPC	
88	140-098-15	Hex.Bolt	6	M12x35	SUS304	
89	144-000-88	Stud Bolt	3	M12x211(20/24)	SUS403	
90	023-120-11	Strainer	1	KRZ-19/22KW	SPC	
91	049-117-15	Bottom Plate	1		FCD	
92	142-129-25	Plain Washer	3	M12	SPC	
93	141-007-10	Hex.Nut	3	M12	SUS304	
	173-003-17	<b>Packing O-Ring Set</b>	1Set	(Marked by *)		
23	122-135-19	O-Ring (S.Box)	1	G-120(119.4xd3.1)	NBR	*
26	121-144-18	Packing (Hose Coupling)	1	KRZ8(P.C.236xd190)	NBR	*
37	122-160-13	O-Ring (M.Bracket/M.Frame)	1	G-290(289.3xd5.7)	NBR	*
38	121-001-44	Packing (Water Way, Mid.)	1	KRS819/822-51/61	SBR	*
55	121-247-12	Packing (Oil Plug)	2	d12.3xd18x2t	PE	*
57	122-161-14	O-Ring (M.Frame/P.Casing)	1	G-300(299.3xd5.7)	NBR	*
58	121-001-41	Packing (Water Way, Low.)	1	KRS819/822-51/61	NBR	*
67	122-151-11	O-Ring (M.Frame/Brg.Housing)	1	G-200(199.3xd5.7)	NBR	*
		Lubricant		Turbine Oil VG32 6.500ml		
	183-003-16	Impeller Puller		B No.3	FCD	

PARTS LIST		HIGH VOLUME DEWATERING PUMP			1/21/2020	
ITEM	PART No.	DESCRIPTION	QTY	SIZE	MATERIAL	NOTES

## EXPLODED VIEW

KRS819-51/61  
 KRS822-51/61  
 KRS822L-51/61



C-01490-1